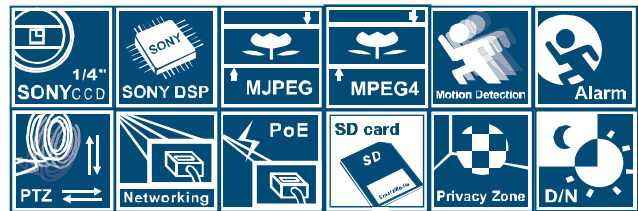




NDZ860 network dome camera

Color network dome camera with
MPEG-4 & JPEG dual streaming,
2-way audio, SD card slot, PoE+



The NDZ860 network dome camera is a high-performance network camera with a 1/4" Super HAD progressive-scan CCD made by Sony. With remote pan/tilt/zoom functionality, the NDZ 860 network camera is ideal for surveillance at locations such as banks, retail stores, airport and schools.

- **High Quality Images**

NDZ860 is an MPEG-4/JPEG camera, employing a 1/4" Super HAD progressive-scan CCD. It delivers crisp and detailed images even in low-light conditions.

- **All Day Surveillance**

The camera features Day/Night functionality, which enables it to capture pictures in diverse lighting conditions, adapt automatically to low-light conditions, and operate even in very dark environments. Equipped with an SD card, the camera can store captured images to ensure round-the-clock monitoring even in the event that its network connection goes down. The NDZ860 delivers all-day surveillance, and round-the-clock security.

- **Remote Pan/Tilt/Zoom Function**

The NDZ860's remote pan/tilt/zoom operations provide flexibility and make it possible to zoom in on small or distant objects for recognition. Its industry leading pan/tilt speeds--it pans at up to 300°/sec and tilts at up to 200°/sec--allow you to capture an object faster and more efficiently. The camera supports a 350° pan range for wide-angle monitoring of objects, plus a tilt range of 120°, allowing targeting of any position in the viewable area. It also offers 64 preset positions to capture objects from different angles by presetting different viewing positions. The camera's outstanding PTZ capabilities facilitate easy and efficient surveillance.

2009.4.09 version.

MESSOA reserves the right to update this datasheet at any time without notice.

MESSOA USA e-mail:info.us@messoa.com//MESSOA Taiwan e-mail:info@messoa.com



Specification

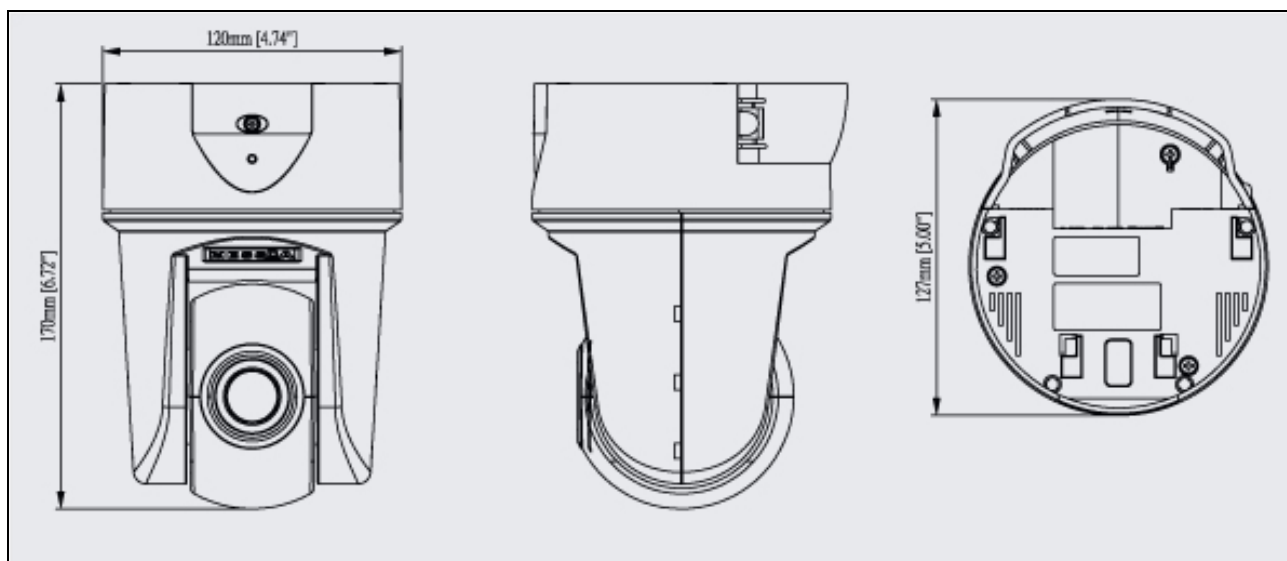
Image System	
CCD Image Sensor	1/4 inch SuperHAD
Effective Picture Element	330K pixels, 640 (H) x 480 (V)
Scanning System	Progressive
Image frame rate	VGA 640 X 480, QVGA 320 X 240 @30fps
Electronic	
Sync system	Internal
S/N Ratio	more than 50dB
Min.illumination	0.7 lux (1/30s F1.8 AGC Max.)
Auto Focus	AF / Manual
Electronic Shutter	1/1 to 1/10000s (22 steps)
Auto Gain Control	Auto / Manual (Max 28 dB)
Black Light Compensation	ON / OFF
White Balance	AUTO/ATW/Manual/Indoor/Outdoor
Alarm function	Yes; 1X Alarm in; 1X Alarm out
Mirror	ON / OFF
Camera ID	ON / OFF Max : 20 characters
Privacy Mask	ON / OFF, total 8 zones
Motion Detection	Yes; 8 x 6 MD window & 3 level sensitivity
SD card slot	Yes; Support 2GB SD card
Camera Module (Optics)	
Lens (F)	F = 1.8 to 2.9
Lens(f)	4.2mm- 42mm
Angle of view(H) degrees	4.6°(Tele) - 46° (Wide)
Minimum working distance	10mm (wide end) , 1000mm (tele end)
Digital flip	Yes
Preset	64 presets(Digital/Analog)
Patrol	4 routes
Preset speed	PAN : 300° (max) / sec ; TILT: 200° (max) / sec
Focus system	Auto
Power Supply	
Power Requirement	AC24V / PoE+ (802.3at)
Power consumption	Approx.16W
Environment	
Temperature of operation	0°C ~ + 50°C
Preservation temperature	-20 ~ +60°C
Humidity of operation	20~80%
Preservation Humidity	20~85%
Network	
Network interface	10BASE-T/100BASE-TX
Image compression	JPEG / MPEG4 (Dual scanning)
Resolution	JPEG : VGA (640 x 480) / QVGA (320 X 240) : 30fps MPEG4 : VGA (640 x 480) / QVGA (320 X 240) : 30 fps
Image quality setting	3 levels
Audio function	Two-way Mono Audio; Full-duplex
Internet Protocols	TCP/ IP, UDP, HTTP, SMTP, DNS, DHCP, NTP, ARP, ICMP, FTP, FTPs, DDNS, DHCP, RTSP
Web Browser	IE browser 6.0 or above
I/O connector	
Network port	RJ45 with LEDs
Audio in & out port	3.5mm Phone Jack
Alarm	1xAlarm In / 1xAlarm out
LED	Status, network link
Power connector	Pluggable Terminal Block
Mechanism	
Body size	167(H) x 120(D)mm (6.57" x 4.72")
Pan range degrees	-175 ° to + 175 °
Tilt range degrees	Desktop -30° to +90°, Ceiling -90° to +30°
Rotation speed	PAN : 300° (max) / sec ; TILT: 200° (max) / sec
Weight	1kg (2.20 lb.)
Ordering Information	NDZ860-H2

2009.4.09 version.

MESSOA reserves the right to update this datasheet at any time without notice.

MESSOA USA e-mail:info.us@messo.com/MESSOA Taiwan e-mail:info@messo.com

Dimensions



2009.4.09 version.

MESSOA reserves the right to update this datasheet at any time without notice.

MESSOA USA e-mail:info.us@messoa.com//MESSOA Taiwan e-mail:info@messoa.com